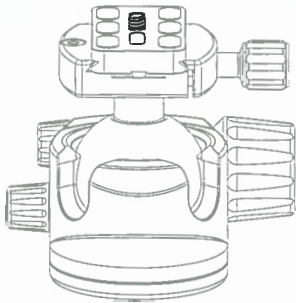




Leofoto®
www.leofoto.com

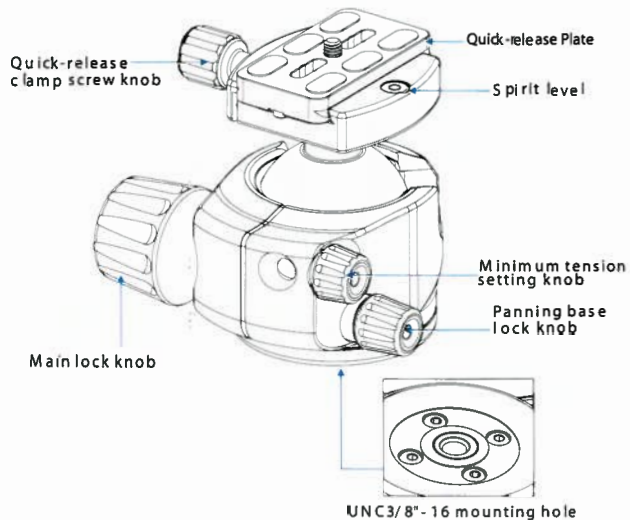


USER MANUAL

LH- Series ball head

Thank you for purchasing the leofoto LH series ball head.
Please read this manual before use.

1 Components



2 Operation

1. Mount it on a tripod or other gears with UNC 3/8"-20 stud;
2. Loosen the clamp lock screw and mount your camera onto the clamp, then lock;
3. Appropriately loosen the knob;
4. Adjust the camera position;
5. Lock the main lock knob and begin the shooting;

3 Features:

Model	Clamp Type	Ball D	Height	Base D	Mounting Hole	Max Load	Weight
LH-40	Screw-knob	40mm	83mm	57mm	UNC 3/8"	20kg	0.496kg
LH-55	Screw-knob	55mm	98mm	72mm	UNC 3/8"	25kg	0.867kg

4 Maintenance

- 1) No extra lubrication;
- 2) Prevent the macro focusing rail from getting fouled in mud, dirt or sand;
- 3) Blow off the sand or dust, or wipe off with the cotton cloth;
- 4) Rinse off the mud or salt water with a wet cloth and then thoroughly dry;

5 Remarks

- 1) Working temperature: -30° to 60°;
- 2) It is advisable to loosen the knobs when you do not use it for long periods;
- 3) Every time you move the tripod or the ball head, removing or holding the camera equipments to make sure the camera security;
- 4) Leofoto Provides for the base a 7-day money-back guarantee and 1-year standard warranty;

Design and specifications are subject to change without notice